



# FLEXI DENIM FLAT

The most compact laser solution for garments processing.

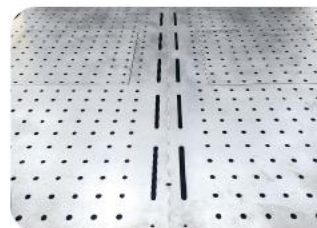
- **Flexi Denim FLAT** has been specially designed for marking, printing and finishing garments such as blue jeans, trousers, t-shirts etc.
- **Flexi Denim FLAT** is able to replace some traditional finishing operations: discoloration, abrasion or decoration.
- **Flexi Denim FLAT** is entirely modular and flexible, meaning that it is suitable for every modern production and workflow need.
- This system is equipped with two static areas that allow a continuous workflow and finishing of extra-large size garments.
- **Flexi Denim FLAT** has a special laser preview to help the operator during production, facilitating even the most complicated garment placement sequences.
- The software, EnGenius, creates an extremely realistic 3D model preview of the finished garment, by visualizing the design of every desired laser effect (used look, broken effects, perforations, designs and writings).
- Thanks to SEI Vero function it is possible to reach a true natural look of the denim garment with full environmental care.



Custom laser preview



Split areas system



# FLEXI DENIM FLAT

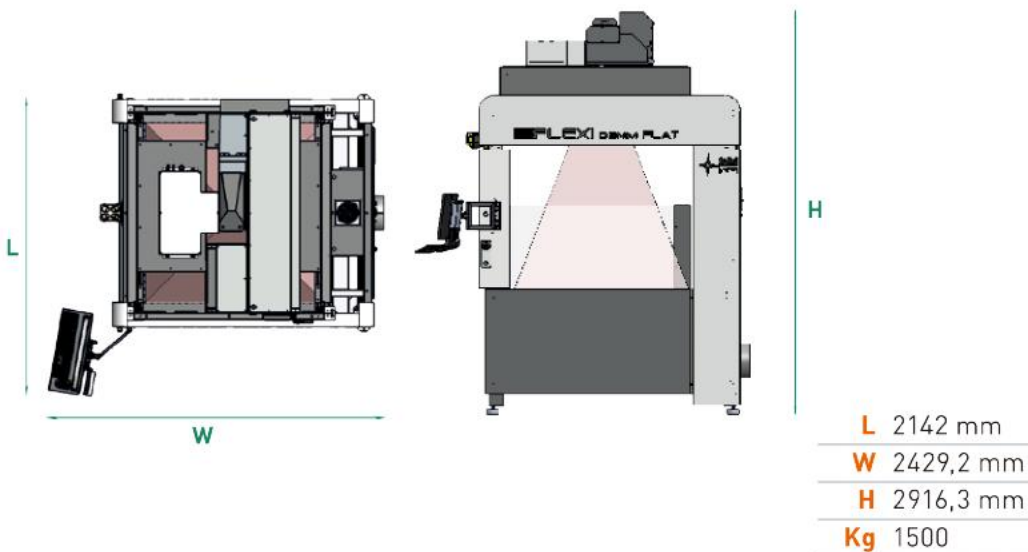
## Main technical features:

Version	V500 (V300 V150 optional)
Laser technology	Sealed CO <sub>2</sub> laser source excited by RF discharge
Laser wavelength (µm)	10,6
Scan head technology	4 optical axis (3 galvo + 1 step motors)
Working area-double conveyor (mm)	1300x1300 (650x1300-dual area)
Control unit	PC Windows™ with SW Icaro DENIM pre-installed
Laser power control	Denim mode, proprietary algorithm
Norm compliance	2014/35/UE Low voltage directive
	2006/42/CE Machinery directive
	2014/30/UE Electromagnetic Compatibility Directive
	IEC EN 60825-1 Laser



## Main benefits:

- Safety and modularity for an extremely simple installation;
- Working area accessible from 3 sides;
- Optical safety barriers and safety scanner for maximum safety;
- State-of-the art performances for maximum energy efficiency and simplified care;
- Top productivity: up to 4 times more than traditional laser systems;
- Finishing process dramatically reducing total water consumption;
- Remote control and diagnostic module included;
- Hi-resolution and natural effects with grey scale;
- User-friendly software: all steps intuitive and very simple;
- Double static table for optimization of production lead times;
- Smart manufacturing ready (Industry 4.0).



### 3D EnGenius



### SEI Vero



## SEI LASER Systems (Shaoxing) Co.Ltd

No.128,ZheDuan Road,Pukou Development Zone,Shengzhou City,  
Zhejiang,China

T.+86 575 83933766 - [www.seilaserasia.com](http://www.seilaserasia.com)